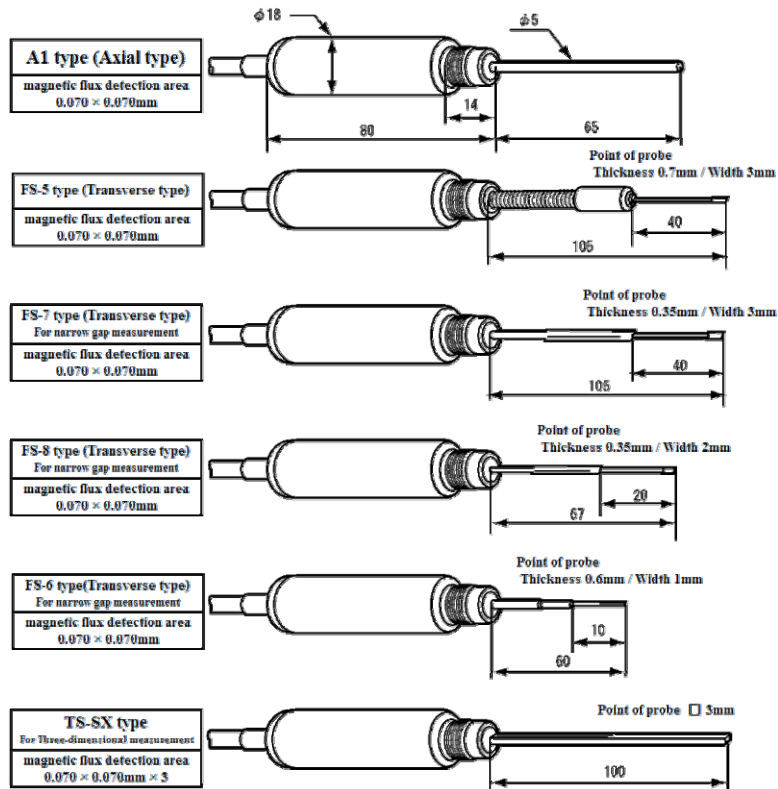


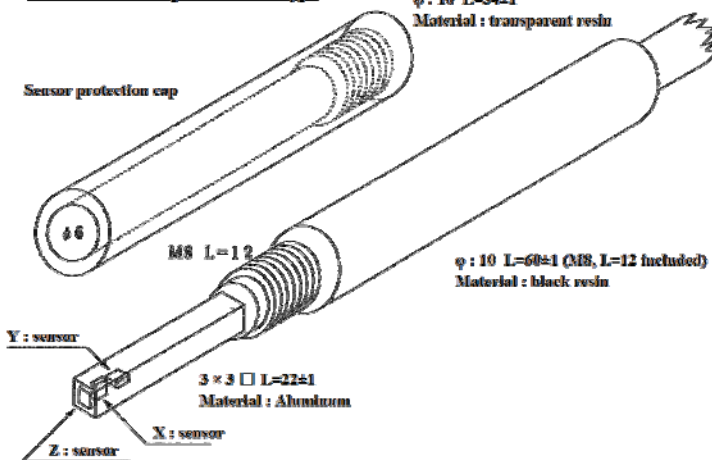
--The high-performance hall probe which realized point control  
of detecting magnetic flux sensor--

## Hall Probe for Gauss Meter (Tesla Meter)

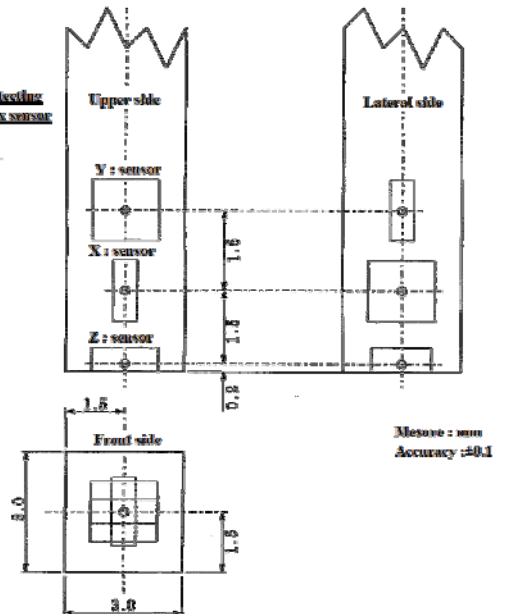
### Basic specification product



### 3D direction hall probe TS-3C type



### Point of detecting magnetic flux sensor

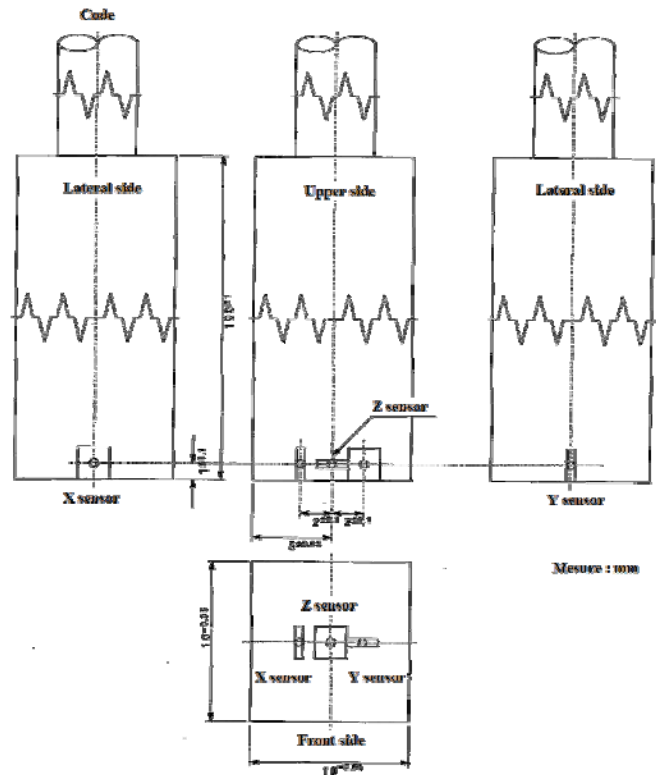


For example of custom-made hall probe

We can produce the probe which is most suitable for measurement point and a measurement application. Please feel free to inquire.

**3D direction hall probe TQ-10 × 10 × 100 type**

1. Detecting magnetic flux sensor (X,Y,Z sensor) position:  
Cf. right figure
2. Dimension of probe : Cf. right figure
3. Attachment accuracy of each sensor : within ±0.2mm
4. Attachment angle error of each sensor :  
aim for within ±1.5deg
5. Material of probe : Brass
6. Surface treatment of probe : Chrome plating
7. Code : 3m



**2D direction hall probe**

**DS-10 × 5 × 150 type**

Hall sensor : GaAs Detecting magnetic flux area : 0.07 × 0.07mm Material of probe : Bakelite

